

# VELVET Light 1 Studio IP51



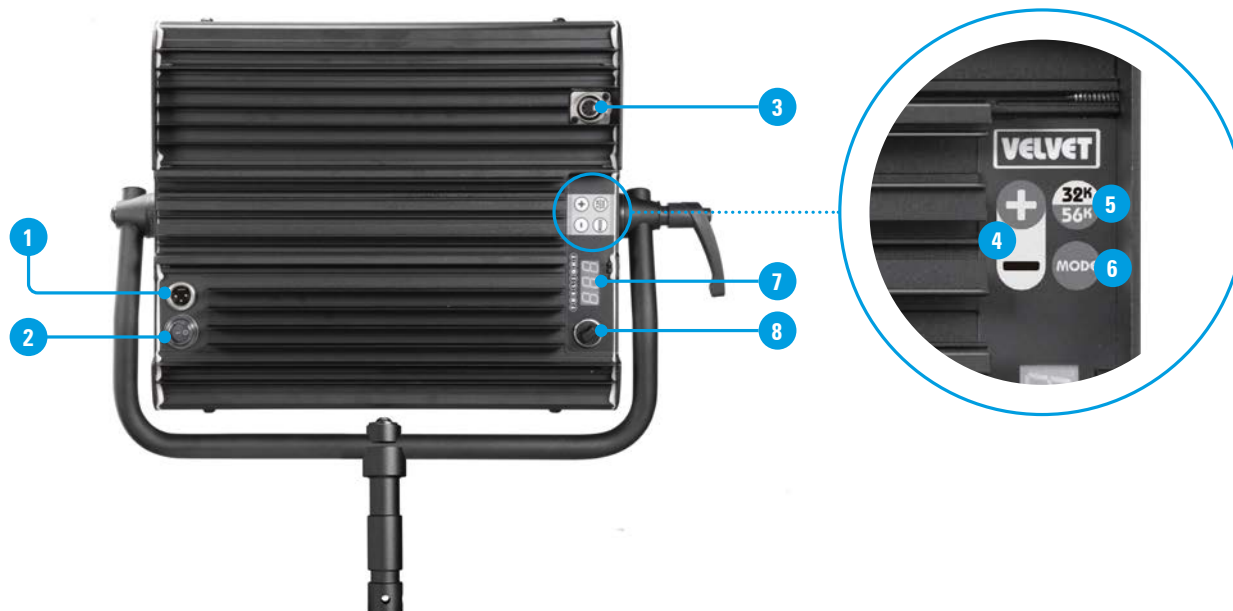
Ref.: VL1STNY

Datasheet: October 2023 / Page 1

## 1x1 foot bicolor dustproof AC powered soft light LED panel

[Click here for more product information](#)

1. XLR-3 DC IN
2. Power switch
3. XLR DMX-5 OUT
4. +/− Adjustment buttons
5. 3200K/ 5600K Quick access button
6. Mode selection button(Dimmer/ Colour Temp)
7. Digital display
8. XLR-5 DMX IN



# VELVET Light 1 Studio IP51



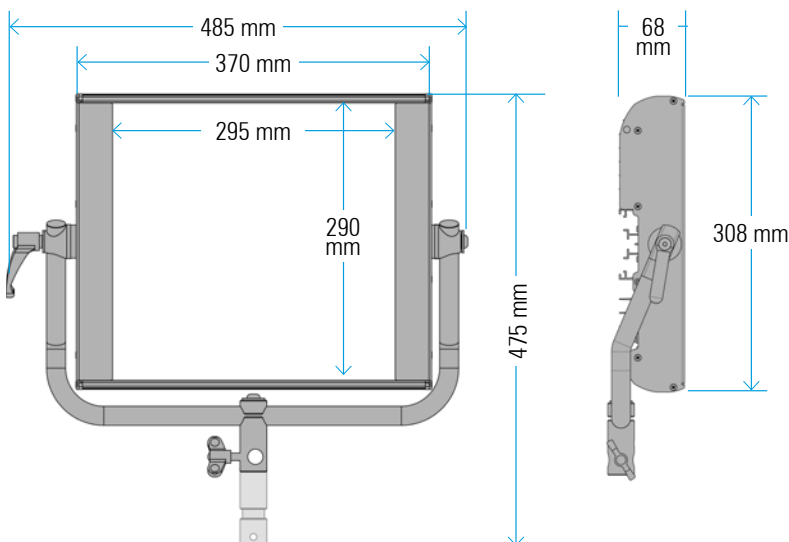
Ref.: VL1STNY

Datasheet: October 2023 / Page 2

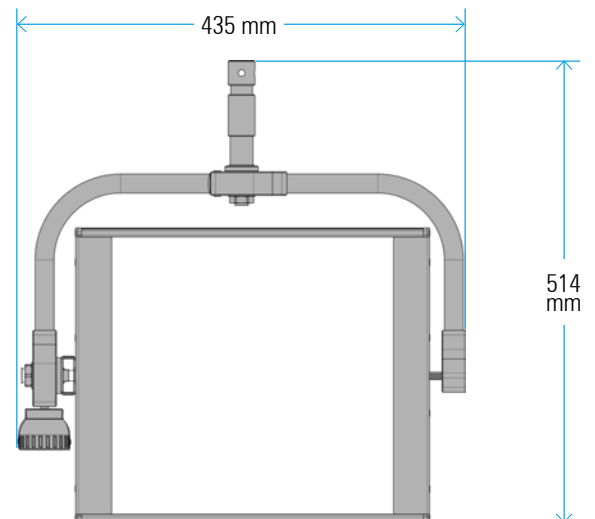
## SPECIFICATIONS

COLOUR TEMPERATURE	Adjustable from 2700K a 6500K (100K increments)
LIGHT INTENSITY	Dimmable 0 to 100 (smooth and flicker-free)
LOCAL CONTROL	Shock proof buttons and display
WIRE CONTROL	DMX DMX-RDM with XLR-5 In & Out connectors
TLCI INDEX	95 at 3270K and 95 at 5740K
PHOTOMETRICS	3520 lux / 327 fc at 1m / 3 feet 461 lux / 42.8 fc at 3m / 10 feet
BEAM ANGLE	100°
DIMENSIONS	370x308x68mm / 14.5"x12"x2.7" (panel) 485x395x68mm (panel+yoke)
WEIGHT	3.5 kg / 7.7 lbs (panel) 4 kg / 8.8 lbs (panel + yoke)
POWER DRAW	100W (0.40A at 220VAC — 0.90A at 110VAC)
POWER SUPPLY	90-264V AC 50/60Hz
LED RATED LIFE	More than 50,000 hours L70 More than 35,000 hours L80
POWER CONNECTION	Neutrik XLR-3 DC In connector
OUTPUT FREQUENCY	2000 fps
OPERATION TEMPERATURE	From -20°C to +40°C
COOLING	No-noise, fan-free passive cooling
PROTECTION	IP51 dustproof, indoor or outdoor protected use
VELVET LED CYC TECHNOLOGY	Selected BIN LED + optic diffuser + CPU software control
RIGGING OPTIONS	Aluminum yoke with 16 female combined with 28 pin, quick link swivel ball head, pole operated yoke, multipanels yokes
QUICK MOUNTING ACCESSORIES	AC power supply, foldable Snapgrid, removable barn doors, cordura case, hard case
CONSTRUCTION & FINISH	Black anodized extruded aluminum and black powder coated sheet aluminum

## VELVET Light 1 Studio + MO Yoke



## VELVET Light 1 Studio + PO Yoke



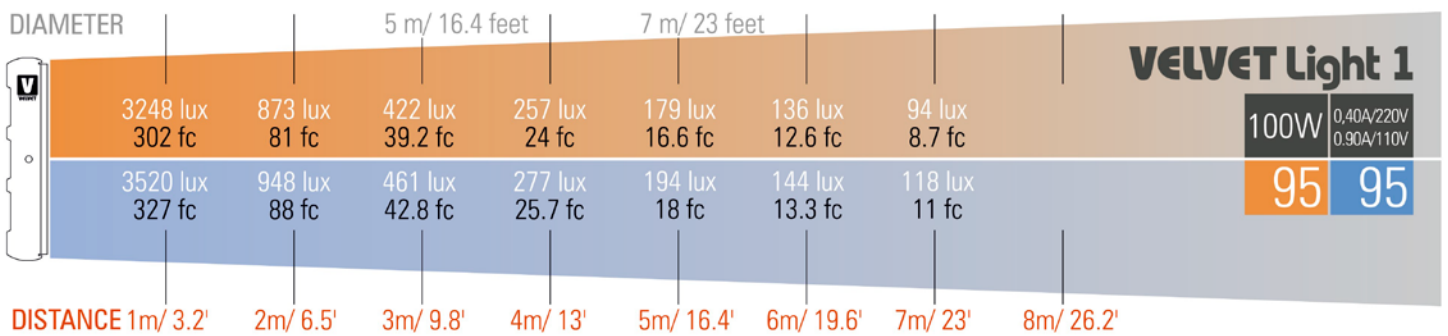
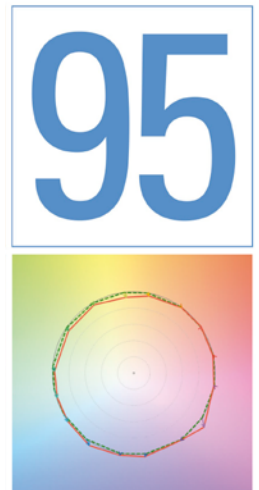
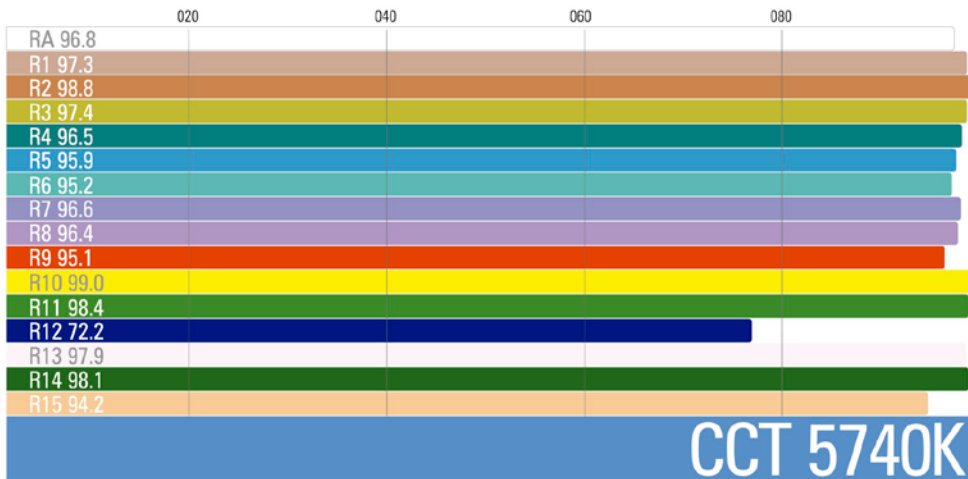
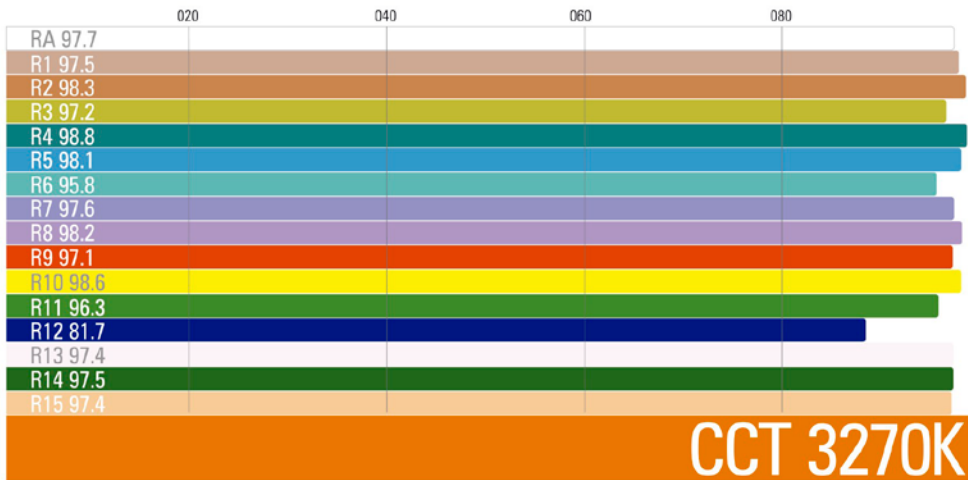
# VELVET Light 1 Studio IP51



Ref.: VL1STNY

Datasheet: October 2023 / Page 3

## PHOTOMETRICS



# VELVET Light 1 Studio IP51



Ref.: VL1STNY

Datasheet: October 2023 / Page 4

## ACCESSORIES

### POWER SUPPLY



VL1ST-PSU

### RIGGING



VL1-YPO

### REMOTE CONTROL



VL-RC

### BEAM CONTROL



VL1-RB



VL1-SG



VL1-SB



VL1-SGXSB

### TRANSPORT



VL1-BAG



VL1-DBAG



VL1-CASE