

AC and DC powered full color Fresnel LED with motorized zoom and wireless control

Color tunable 5 LED fresnel light. Red, Green, Royal Blue, Blue, Warm White, Cold White. Motorized zoom from 11° to 50°. Remote control of beam angle. True borosilicate fresnel lens. High color reproduction TLCI (96). 2500 to 10.000K Lightweight, low-carbon aluminum body. DMX-RDM, LumenRadio CRMX, Wi-fi Artnet, Bluetooth. Silent operation (4 fan modes, including FAN OFF). Robust and lightweight, low-carbon footprint aluminum body. High efficiency means 100% light output even with batteries. V-Lock, B-mount and Gold mount available.

More info

[Website](#)

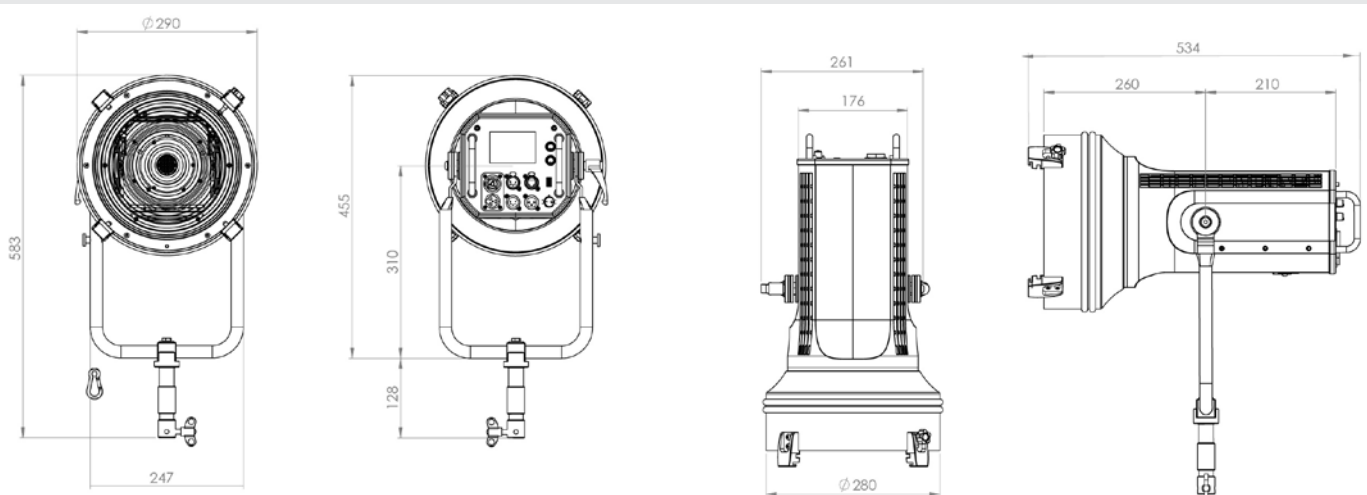


1. 2x handles and security cable attachment
2. 2x XLR-5 DMX In & Out connector
3. 2x PowerCon In & Out through connectors
4. Antenna
5. Digital display
6. 2x Rotary selector button
7. USB connector
8. LAN connector
9. Main power switch



SPECIFICATIONS		
OPTICAL SYSTEM	Motorized ZOOM Fresnel	
LIGHT APERTURE	Borosilicate glass Fresnel lens 250mm / 10"	
LIGHT ENGINE	25mm full color spectrum R+G+B+W+CW VELVET ceramic COB LED	
COLOUR TEMPERATURE	Continuously adjustable from 2700K to 6500K (100K increments)	
GREEN MAGENTA	Continuously adjustable (full plusgreen to full minusgreen)	
CONTROL COLOR MODES	CTT, HSI, CTT+RGB, Gels and Effects with ZOOM in every Mode NOTE: base Kelvin white light can be set combined with any color	
LIGHT INTENSITY	Dimmable 0 to 100, smooth and flicker-free	
LOCAL CONTROL	Rotary knob and display + 3200K / 5600K quick access + Mode selection buttons	
WIRE CONTROL	DMX-RDM with XLR-5 In + LAN connectors	
WIRELESS CONTROL	DMX-RDM with LumenRadio	
TLCI INDEX	96 at 3200K and 98 at 5600K	
PHOTOMETRICS	45° - 3200K	10° - 3200K
	3510 lux / 326 fc at 3 m / 9.8 feet	9900 lux / 920 fc at 3 m / 9.8 feet
	920 lux / 85 fc at 6 m / 20 feet	2250 lux / 209 fc at 6 m / 20 feet
	45° - 5600K	10° - 5600K
	3840 lux / 357 fc at 3 m / 9.8 feet	10700 lux / 994 fc at 3 m / 9.8 feet
	1040 lux / 97 fc at 6 m / 20 feet	2510 lux / 233 fc at 6 m / 20 feet
BEAM ANGLE	From 10° to 45°	
DIMENSIONS (Without yoke)	290x583x176mm / 11.5x23x7 inches	
WEIGHT	9.3 kg/ 20.5 lbs (fixture)	
	9.8 kg/ 22.6 lbs (fixture + yoke)	
POWER DRAW	230W (0.9A at 220VAC — 1.8A at 110VAC)	
POWER SUPPLY	96-260V AC XLR-3 In connector	
LED RATED LIFE	More than 50.000 hours	
POWER CONNECTION	Neutrik PowerCon TRUE1 TOP In & Out connectors	
OUTPUT FREQUENCY	Over 12,000 fps	
OPERATION TEMPERATURE	From -20°C to +40°C	
COOLING	Passive liquid cooling system into sealed 3D chamber with silent fan	
PROTECTION	IP30, indoor or outdoor protected use	
RIGGING OPTIONS	Aluminum yoke with 16mm baby receptacle combined with 28mm junior pin, pole operated yoke.	
QUICK MOUNTING ACCESSORIES	Foldable SnapBag, foldable Snapgrid, Octa, Lantern, removable Barn doors, hard case,	
CONSTRUCTION & FINISH	Fixture and yoke made of die-cast aluminum	

WIRE VIEW



PHOTOMETRICS

