

Real glass lens, motorized zoom, with Green/Magenta adjustment

KOSMOS is the compact LED fresnel with built-in ballast, producing unprecedented output due to its VELVET light engine. High color reproduction (97 TLCI) for color skin tones. Smooth stepless dimming and flicker free operation up to 12000 fps. Any base white light from 2700 to 6500K can be set. Change the powerful light beam angle on air from 13° to 56° locally or remotely with no need to access the luminaire. A lightweight low-carbon aluminum body; KOSMOS has a resistant housing made in recycled aluminum which reduces our/your carbon footprint. A real "made to last" lighting fixture 100% manufactured in Barcelona.

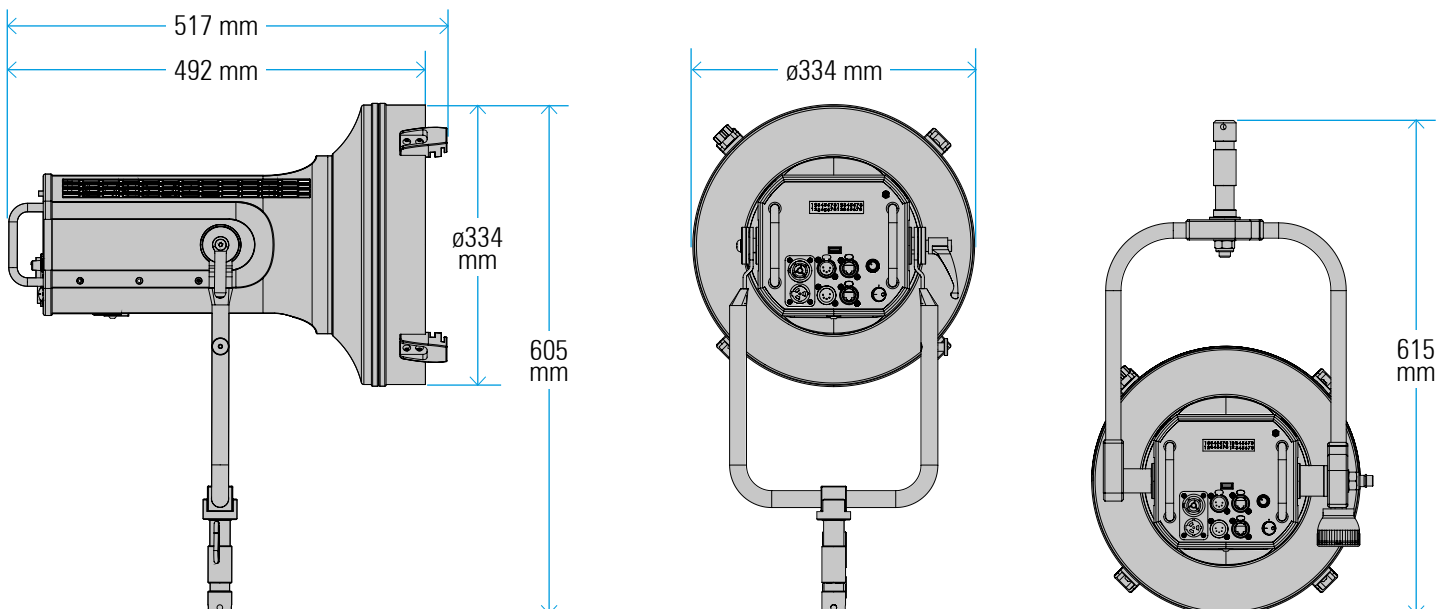


1. 2x handles and security cable attachment
2. USB connector
3. 2x PowerCon In & through connectors
4. 2x XLR-5 DMX In & Out connector
5. Antenna (Optional with Lumen Radio)
6. Digital display
7. Mode selection button
8. Zoom selection button
9. 3200K / 5600K quick access buttons
10. Rotary selector button
11. Main power switch
12. 2x RJ45 Ethernet connector



SPECIFICATIONS	
OPTICAL SYSTEM	Motorized ZOOM Fresnel
LIGHT APERTURE	Borosilicate glass Fresnel lens 300mm / 12"
LIGHT ENGINE	35 mm Kelvin white light VELVET ceramic COB LED
COLOUR TEMPERATURE	Continuously adjustable from 2700K to 6500K
GREEN MAGENTA	Continuously adjustable from full Plusgreen to full Minusgreen
LIGHT INTENSITY	Dimmable 0 to 100, smooth and flicker-free
CONTROL	Local via rotary knob + display, 32K/ 56K button and Mode dedicated button. Wire DMX-RDM, Art-Net through Ethernet RJ-45 connectors and LumenRadio (optionally)
TLCI INDEX	94 at 3200K and 96 at 5600K
PHOTOMETRICS	Beam angle 50°: 4200 lux / 391 fc at 3m / 10 feet — 1103 lux / 102 fc at 6m / 20 feet Beam angle 13°: 17325 lux / 1610 fc at 3m / 10 feet — 4478 lux / 416 fc at 6m / 20 feet
BEAM ANGLE	From 13° to 56°
DIMENSIONS (Without yoke)	320x534x167mm / 12.60x21.02x6.57 inches
WEIGHT	9.3 kg / 20.5 lbs (fixture) 9.8 kg / 22.6 lbs (fixture + yoke)
POWER DRAW	400W (1.8A at 220VAC — 3.7A at 110VAC)
POWER SUPPLY	Build-in Power Supplu Unit. 90-264 50/60 Hz
LED RATED LIFE	More than 50.000 hours
POWER CONNECTION	Neutrik PowerCon® TRUE1 compatible In & Out connectors
OUTPUT FREQUENCY	Over 12,000 fps
OPERATION TEMPERATURE	From -20°C to +40°C
COOLING	Passive liquid cooling system into sealed 3D chamber with silent fan
PROTECTION	IP30, indoor or outdoor protected use
RIGGING OPTIONS	Aluminum yoke with 28mm junior pin, pole operated yoke.
QUICK MOUNTING ACCESSORIES	Removable Barn doors, Pole operatde Yoke, Filter frames
CONSTRUCTION & FINISH	Fixture and yoke made of die-cast aluminum

WIRE VIEW



PHOTOMETRICS

